

LED导光柱 LED PIPE



用途：使LED导光于机壳面板上，使光度均匀、柔和

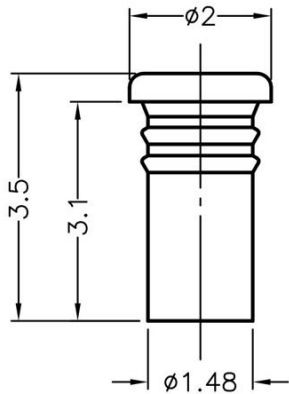
MATERIAL : PC(UL)

FLAME CLASS : 94V-0,94V-2

COLOR : TRANSPARENT

UNIT : mm

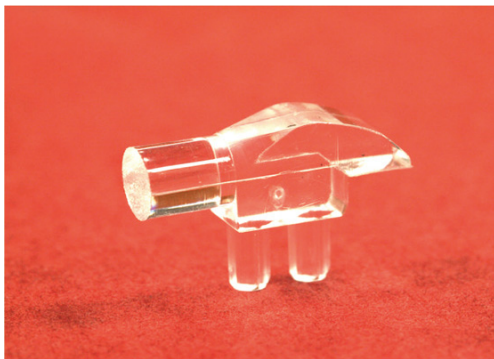
2



MOUNTING HOLE

PART NO	PACKAGE
LEDLP-104	2000

LED导光柱 LED PIPE



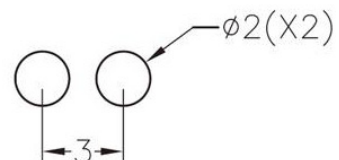
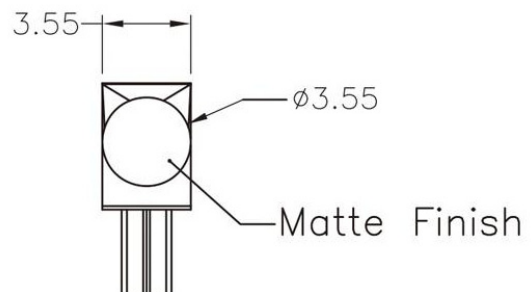
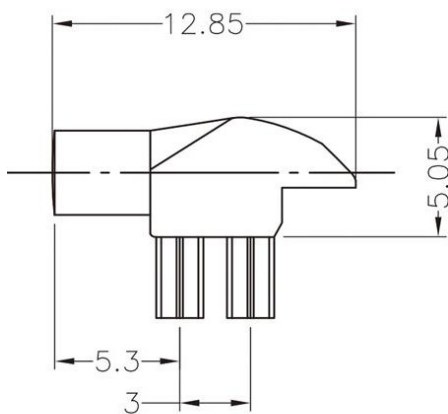
用途：使 LED 导光于机壳面板上，使光度均匀、柔和

MATERIAL : PC(UL)

FLAME CLASS : 94V-0,94V-2

COLOR : TRANSPARENT

UNIT : mm



MOUNTING HOLE

PART NO	PACKAGE
LEDLP-105	1000