

# LED导光柱 LED PIPE



用途：使LED导光于机壳面板上，使光度均匀、柔和

MATERIAL : PC(UL)

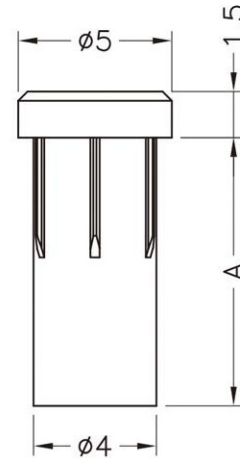
FLAME CLASS : 94V-0,94V-2

COLOR : TRANSPARENT

UNIT : mm

2

| PART NO   | A   | PACKAGE |
|-----------|-----|---------|
| LEDLP-107 | 4.0 | 1000    |
| LEDLP-108 | 8.5 | 1000    |



MOUNTING HOLE :  $\phi 4.3$

# LED导光柱 LED PIPE



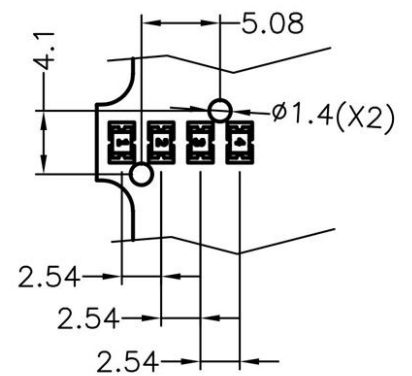
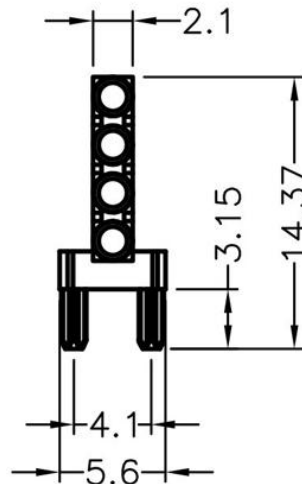
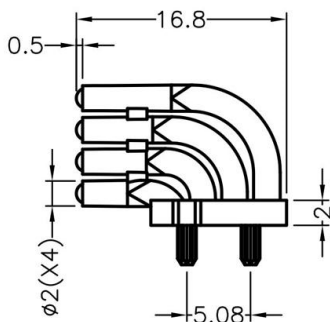
用途：使 LED 导光于机壳面板上，使光度均匀、柔和

MATERIAL : PC(UL)

FLAME CLASS : 94V-0,94V-2

COLOR : TRANSPARENT

UNIT : mm



HOLE FOR PCB  
PCB THICKNESS 1.6mm

| PART NO   | PACKAGE |
|-----------|---------|
| LEDLP-109 | 500     |