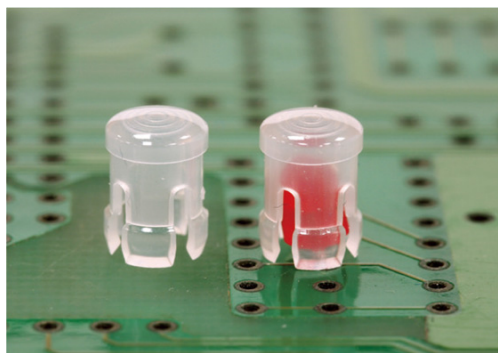


LED导光柱 LED PIPE



用途：使S.M.T LED导光于机壳面板上，使光度均匀、柔和

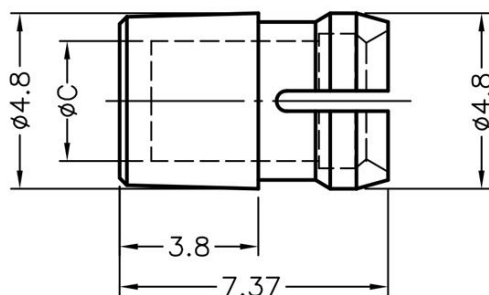
MATERIAL : PC(UL)

FLAME CLASS : 94V-0,94V-2

COLOR : TRANSPARENT

UNIT : mm

2



CHASSIS $\phi 4.4$
THICKNESS 1.57~3.2



PART NO	PACKAGE
LEDLP-113	500

LED导光柱 LED PIPE



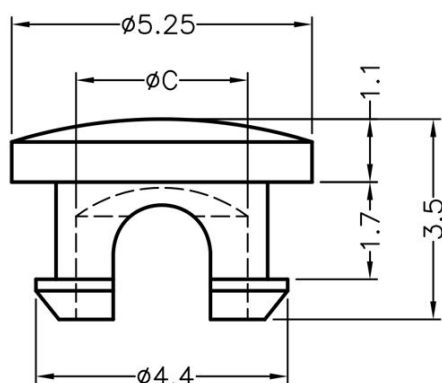
用途：可快速将 $\phi 3$ LED固定于机器面板上

MATERIAL : PC(UL)

FLAME CLASS : 94V-0,94V-2

COLOR : TRANSPARENT

UNIT : mm



CHASSIS $\phi 3.6$
THICKNESS 0.8~1.6

PART NO	C	PACKAGE
LEDLP-114	$\phi 3.0$	1000